

Square Linear Actuators

with Right or Left Hand Thread

SPECIFICATION

Types

- Type **R1**: Right hand thread, shaft journal at one end
- Type **R2***: Right hand thread, shaft journal at both ends
- Type **L1**: Left hand thread, shaft journal at one end
- Type **L2***: Left hand thread, shaft journal at both ends

* usually not available from stock

Square tube

- Steel, chrome-plated **SCR**
- Stainless steel AISI 304 **NI***

Spindle with trapezoidal thread

- Steel respectively Stainless steel AISI 303
- Ball bearing

Lead nut

Gunmetal

End plug

Plastic



INFORMATION

Square linear actuators GN 291.1 are used if the linear actuator connectors are exposed to high torsion forces.

In addition to the standard stroke lengths specified in the above table for linear actuators any stroke inside the maximum stroke length is available.

By means of linear actuator connectors, the linear movement of the lead nut can be transmitted externally via a follower. The followers are included with the respective linear actuator connectors. In addition, the tube clamp connector range contains many different parts for mounting the linear actuators.

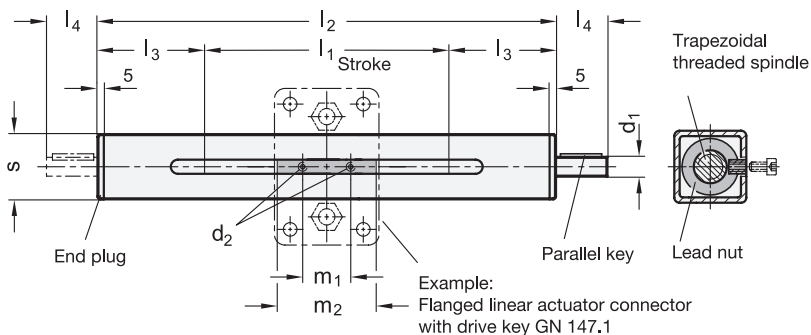
In order to measure the displacement and positioning of the linear actuator connectors, the square tube can be provided with a longitudinal scale.

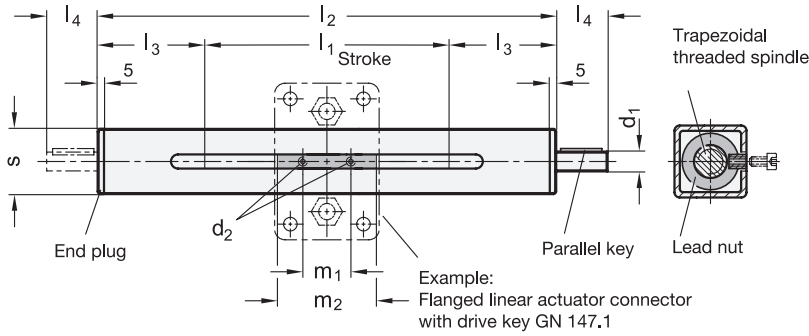
ACCESSORY

- Linear actuator connectors, tube clamp connectors and accessory have to be ordered separately.

TECHNICAL INFORMATION

- Stainless Steel Characteristics (see page A26)





* Complete with Type of the Square linear actuators

R1 R2* L1 L2*

GN 291.1-SCR

Description	s	l ₁	Max. stroke	Threaded spindle	d ₁	d ₂	l ₂ Total length	l ₃	l ₄	m ₁	m ₂	For parallel key DIN6885	⚖
GN 291.1-30-100-*-SCR	30	100	1250	TR14x4	8	M 4	l1+210	105	16	23	38	A2x2x12	825
GN 291.1-30-150-*-SCR	30	150	1250	TR14x4	8	M 4	l1+210	105	16	23	38	A2x2x12	948
GN 291.1-30-200-*-SCR	30	200	1250	TR14x4	8	M 4	l1+210	105	16	23	38	A2x2x12	1260
GN 291.1-30-300-*-SCR	30	300	1250	TR14x4	8	M 4	l1+210	105	16	23	38	A2x2x12	1300
GN 291.1-40-70-*-SCR	40	70	1570	TR20x4	12	M 5	l1+240	120	17	42	54	A4x4x12	1685
GN 291.1-40-170-*-SCR	40	170	1570	TR20x4	12	M 5	l1+240	120	17	42	54	A4x4x12	2229
GN 291.1-40-220-*-SCR	40	220	1570	TR20x4	12	M 5	l1+240	120	17	42	54	A4x4x12	2492
GN 291.1-40-270-*-SCR	40	270	1570	TR20x4	12	M 5	l1+240	120	17	42	54	A4x4x12	2709
GN 291.1-40-320-*-SCR	40	320	1570	TR20x4	12	M 5	l1+240	120	17	42	54	A4x4x12	3100
GN 291.1-50-65-*-SCR	50	65	1565	TR20x4	12	M 6	l1+245	122.5	18	42	54	A4x4x12	2639
GN 291.1-50-115-*-SCR	50	115	1565	TR20x4	12	M 6	l1+245	122.5	18	42	54	A4x4x12	2820
GN 291.1-50-215-*-SCR	50	215	1565	TR20x4	12	M 6	l1+245	122.5	18	42	54	A4x4x12	3500
GN 291.1-50-265-*-SCR	50	265	1565	TR20x4	12	M 6	l1+245	122.5	18	42	54	A4x4x12	3830
GN 291.1-50-315-*-SCR	50	315	1565	TR20x4	12	M 6	l1+245	122.5	18	42	54	A4x4x12	4190

GN 291.1-NI

STAINLESS STEEL

Description	s	l ₁	Max. stroke	Threaded spindle	d ₁	d ₂	l ₂ Total length	l ₃	l ₄	m ₁	m ₂	For parallel key DIN6885	⚖
GN 291.1-30-100-*-NI	30	100	1250	TR14x4	8	M 4	l1+210	105	16	23	38	A2x2x12	825
GN 291.1-30-150-*-NI	30	150	1250	TR14x4	8	M 4	l1+210	105	16	23	38	A2x2x12	948
GN 291.1-30-200-*-NI	30	200	1250	TR14x4	8	M 4	l1+210	105	16	23	38	A2x2x12	1260
GN 291.1-30-300-*-NI	30	300	1250	TR14x4	8	M 4	l1+210	105	16	23	38	A2x2x12	1300
GN 291.1-40-70-*-NI	40	70	1570	TR20x4	12	M 5	l1+240	120	17	42	54	A4x4x12	1685
GN 291.1-40-170-*-NI	40	170	1570	TR20x4	12	M 5	l1+240	120	17	42	54	A4x4x12	2229
GN 291.1-40-220-*-NI	40	220	1570	TR20x4	12	M 5	l1+240	120	17	42	54	A4x4x12	2492
GN 291.1-40-270-*-NI	40	270	1570	TR20x4	12	M 5	l1+240	120	17	42	54	A4x4x12	2709
GN 291.1-40-320-*-NI	40	320	1570	TR20x4	12	M 5	l1+240	120	17	42	54	A4x4x12	3100
GN 291.1-50-65-*-NI	50	65	1565	TR20x4	12	M 6	l1+245	122.5	18	42	54	A4x4x12	2639
GN 291.1-50-115-*-NI	50	115	1565	TR20x4	12	M 6	l1+245	122.5	18	42	54	A4x4x12	2820
GN 291.1-50-215-*-NI	50	215	1565	TR20x4	12	M 6	l1+245	122.5	18	42	54	A4x4x12	3500
GN 291.1-50-265-*-NI	50	265	1565	TR20x4	12	M 6	l1+245	122.5	18	42	54	A4x4x12	3830
GN 291.1-50-315-*-NI	50	315	1565	TR20x4	12	M 6	l1+245	122.5	18	42	54	A4x4x12	4190

Weight Type R1

